

*Royal Exclusiv pumps & skimmers*

Klaus Jansen // Richard-Byrd-Str.7 // 50829 Cologne // Germany

Fon +49(0)221/222886 0 // Fax +49(0)221/22288622

info@royal-exclusiv.de // www.royal-exclusiv.de



Since 1986



**Data sheet and list of spare parts for Bubble King® Double Cone 180**  
For all Bubble King® Double Cone protein skimmer 180

vs14

**ENG**



## Data sheet for protein skimmer Bubble King® Double Cone 180

### Protein skimmer Bubble King® Double Cone 180

Product no.: 510 771,75 €

for aquariums up to 500 ltr.

Skimmer-series Bubble King® Double Cone for aquarium-grounds. For internal installation in filter-systems. Suitable for particularly gentle, effective, and dry skimming.

#### Technical data Bubble King® Double Cone 180:

700 ltr./h Air - 1.000 ltr./h Water = 1 pump Mini Red Dragon 700 with Ozon - plug

Baseplate: 22 cm x 28 cm / height ~ 53 cm

Skimmer-pump: Mini Red Dragon 700

Delivery rate: 700 l/h Air inlet ~ 1.000 l/h Water inlet

Wattage - active power: P = 25 Watt/h

Operating voltage: 230 Volt 50 Hz (also in 110V/60Hz available)

Protection class: IP 68

Water level: ~ 130 mm up to ~ 250 mm

Weight skimmer: 6 kg inclusiv pump

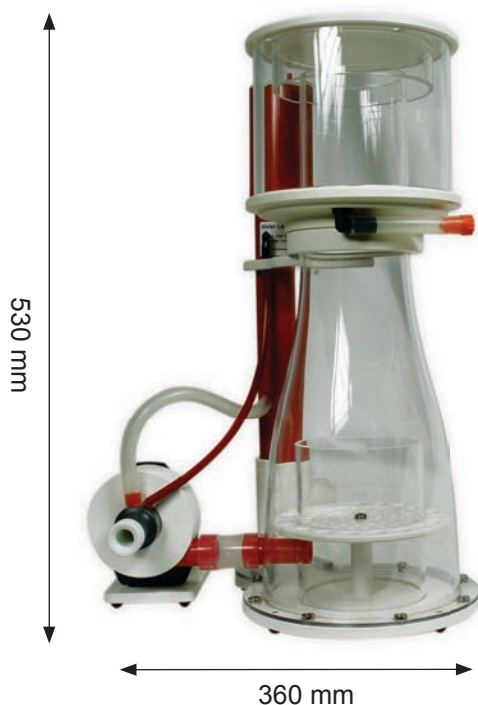
Dimension skimmer without pump:

220 mm wide / 280 mm length / ~ 530 mm height

Dimension skimmer with pump:

290 mm wide / 360 mm length / ~ 530 mm height

Height silicon outlet (cleanout) ~ 350mm

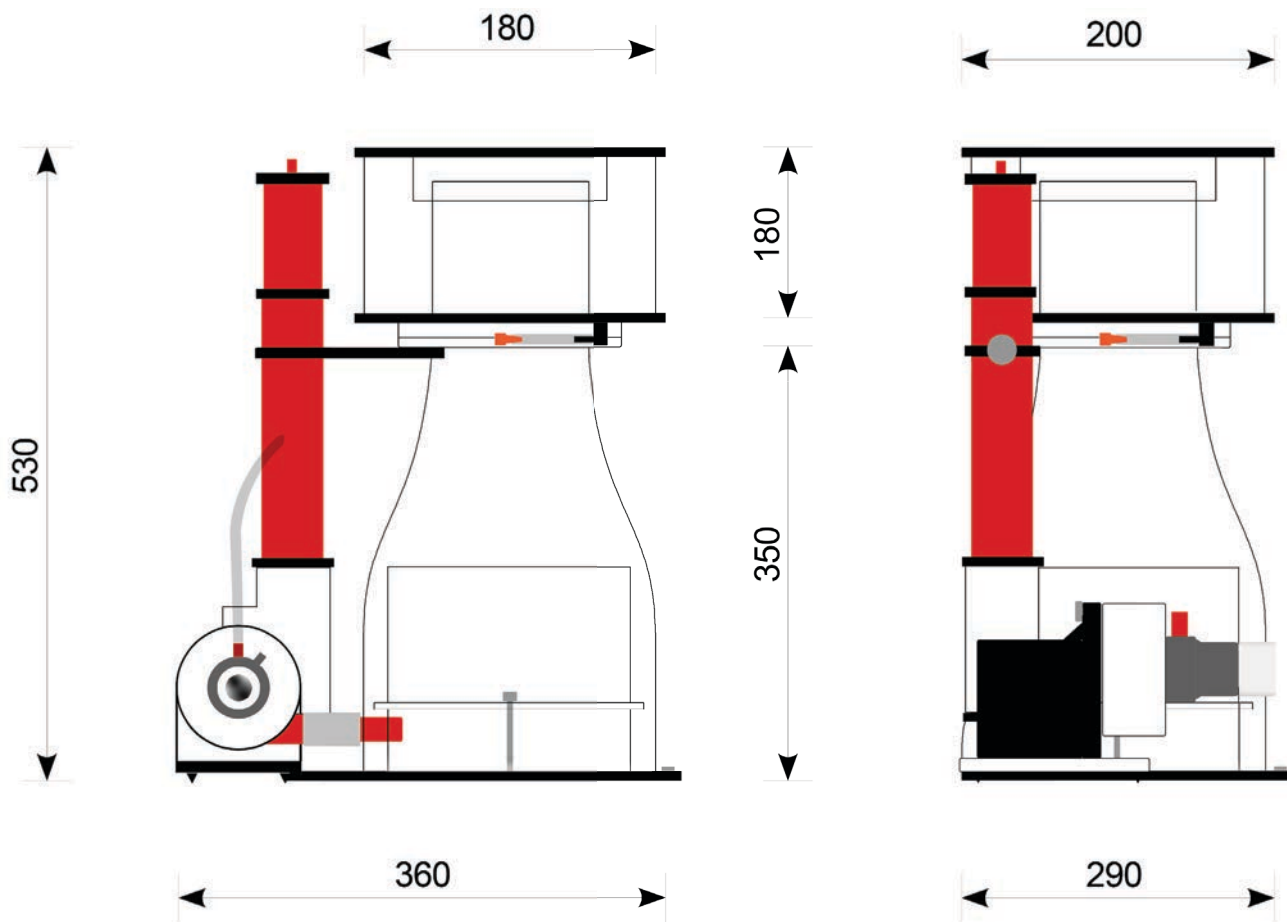


For more information, please visit [www.royal-exclusiv.de](http://www.royal-exclusiv.de). Simply enter the part number or name into the search box or email: [info@royal-exclusiv.de](mailto:info@royal-exclusiv.de).

All information subject to change. We try our best, but printing errors reserved.

## Protein skimmer Bubble King® Double Cone 180

Product no.: 510



**Protein skimmer Bubble King® Double Cone 180****Product no.: 510**

<b>list of spare parts</b>	<b>product no. (110V)</b>	<b>(230V)</b>	<b>Price</b>
resonator single PVC Ø diameter 50mm (slot 40mm)	290/DC	290/DC	27,83 €
silikon-outlet (cleanout)	298	298	23,52 €
lid complete	318	318	75,60 €
cup with connection incl. silicon outlet (cleanout)	380	380	218,40 €
silicon O-ring 80 x 2,5mm for stand pipe	434	434	5,04 €
silicon O-ring 90 x 2,5mm for cup screw connection	338	338	5,41 €
silicon air-hose 9x3mm 460mm long	185-6	185-6	12,02 €
ozon tube 8x1 red 275mm	308-1	308-1	7,56 €
torque tube Ø 40mm PVC red 330mm long	410/14	410/14	21,53 €
T-piece short Ø 40mm / 40 / 40	305	305	15,12 €
injection-ring acrylic-glass Ø 120mm / 74mm	415	415	23,63 €
hole plate PVC 160/92 with acrylic glass-ring 120mm	418	418	53,55 €
skimmer-body with connection/tube holder	371/14	371/14	319,20 €
titan screw 6 x 45mm for injection pan	183-5	183-5	8,09 €
titan screw 6 x 10mm for baseplate	183-9	183-9	3,78 €
plastic screw 6 x 16mm locking screw for torque tube	181-2	181-2	1,84 €
rubber feets 4 pieces	180	180	4,20 €
silicon hose 9x3mm (price for one meter)	185	185	19,43 €
baseplate PVC white 280 / 220mm	396	396	100,80 €
skimmer-pump MRD 700 complete	122/1	122/2	495,60 €
motor block MRD 700 with base plate	140/1	140/2	193,20 €
pump head PVC 100 / 42 / 25	246	246	142,80 €
rotor complete with metal-shaft	122/1-1	122/2-1	176,40 €
carbon-bearing with O-ring 1 pieces	155	155	6,83 €
titan srew for pump head 3 pieces	183-3	183-3	12,60 €
nozzle base part with ozon-connection	269	269	17,12 €
nozzle 14mm	272	271	21,00 €
silicon - hose Ø 22 / 55mm	301	301	7,14 €
pump table (only for RD3 MiniSpeedy)	153	153	23,10 €
PVC pipe conection Ø 25mm red	421	421	6,30 €
perbunan O-ring 65 x 4mm for pump head/motorblock	171	171	4,20 €

*For the list of spare parts for Red Dragon® 3 skimmer pump see separate document.  
Downloadable on our website under Red Dragon® 3 skimmer pump.*

<b>accessories</b>	<b>product no. (110V)</b>	<b>(230V)</b>	<b>Price</b>
add on resonator Ø 63mm	999	999	33,60 €
PVC pipe clip Ø 63mm for wall and ceiling mounting	930-63	930-63	6,83 €
resonator - inlay	294-1	294-1	6,20 €
silicon grease tube 6g	030/6	030/6	2,63 €
silicon grease tube 25g	030/25	030/25	7,88 €

For more information, please visit [www.royal-exclusiv.de](http://www.royal-exclusiv.de). Simply enter the part number or name into the search box or email: [info@royal-exclusiv.de](mailto:info@royal-exclusiv.de).

All information subject to change. We try our best, but printing errors reserved.

## Protein skimmer Bubble King® Double Cone 180

Product no.: 510

Please replace the **x** with the appropriate number for the voltage of 110/230 Volt.

<i>spare part</i>	<i>spare part</i>	<i>spare part</i>	<i>spare part</i>
			
resonator single PVC Ø diameter 50mm 290/DC 27,83 €	silicon-outlet (cleanout) 298 23,52 €	lid complete 318 75,60 €	cup with connection incl. silicon outlet (cleanout) 380 218,40 €
<i>spare part</i>	<i>spare part</i>	<i>spare part</i>	<i>spare part</i>
			
silicon O-ring 80 x 2,5mm for stand pipe 434 5,04 €	silicon O-ring 90 x 2,5mm for cup screw connection 338 5,41 €	silicon air-hose 9x3mm 460mm long 185-6 12,02 €	ozon-hose 8x1mm 275mm long 308-1 7,56 €
<i>spare part</i>	<i>spare part</i>	<i>spare part</i>	<i>spare part</i>
			
torque tube Ø 40mm PVC red 410/14 21,53 €	T-piece short Ø 40mm 305 15,12 €	injection-ring acrylic-glass Ø 120mm / 74mm 415 23,63 €	hole plate PVC 160/92 with acrylic glass-ring 120mm 418 53,55 €
<i>spare part</i>	<i>spare part</i>	<i>spare part</i>	<i>spare part</i>
			
skimmer-body with connection/tube holder 371/14 319,20 €	titan screw 6 x 45mm for injection pan 183-5 8,09 €	titan screw 6 x 10mm for baseplate 183-9 3,78 €	plastic screw 6 x 16mm locking screw for torque tube 181-2 1,84 €

For more information, please visit [www.royal-exclusiv.de](http://www.royal-exclusiv.de). Simply enter the part number or name into the search box or email: [info@royal-exclusiv.de](mailto:info@royal-exclusiv.de).

All information subject to change. We try our best, but printing errors reserved.

## Protein skimmer Bubble King® Double Cone 180

Product no.: 510

Please replace the **x** with the appropriate number for the voltage of 110/230 Volt.

<p>spare part</p>	<p>spare part</p>	<p>spare part</p>	<p>spare part</p>
			
<p>rubber feet 4 pieces 180 4,20 €</p>	<p>silicon hose 9x3mm (price for one meter) 185 19,43 €</p>	<p>Base plate PVC white 280 / 220mm 396 100,80 €</p>	<p>skimmer-pump MRD 700 complete 122/x 495,60 €</p>
<p>spare part</p>	<p>spare part</p>	<p>spare part</p>	<p>spare part</p>
			
<p>motor block MRD 700 with base plate 140/x 193,20 €</p>	<p>pump head PVC 100 / 42 / 25 246 142,80 €</p>	<p>rotor complete with metal-shaft 122/x-1 176,40 €</p>	<p>carbon-bearing with O-ring 1 pieces 155 6,83 €</p>
<p>spare part</p>	<p>spare part</p>	<p>spare part</p>	<p>spare part</p>
			
<p>titan srew for pump head 3 pieces 183-3 12,60 €</p>	<p>nozzle base part with ozon-connection 269 17,12 €</p>	<p>nozzle 14mm 27x 21,00 €</p>	<p>silicon - hose Ø 22 / 55mm 301 7,14 €</p>
<p>spare part</p>	<p>spare part</p>	<p>spare part</p>	<p>spare part</p>
			
<p>pump table (only for RD3 MiniSpeedy) 153 23,10 €</p>	<p>PVC pipe conection Ø 25mm 421 6,30 €</p>	<p>perbunan O-ring 65 x 4mm for pump head/motorblock 171 4,20 €</p>	

For more information, please visit [www.royal-exclusiv.de](http://www.royal-exclusiv.de). Simply enter the part number or name into the search box or email: [info@royal-exclusiv.de](mailto:info@royal-exclusiv.de).

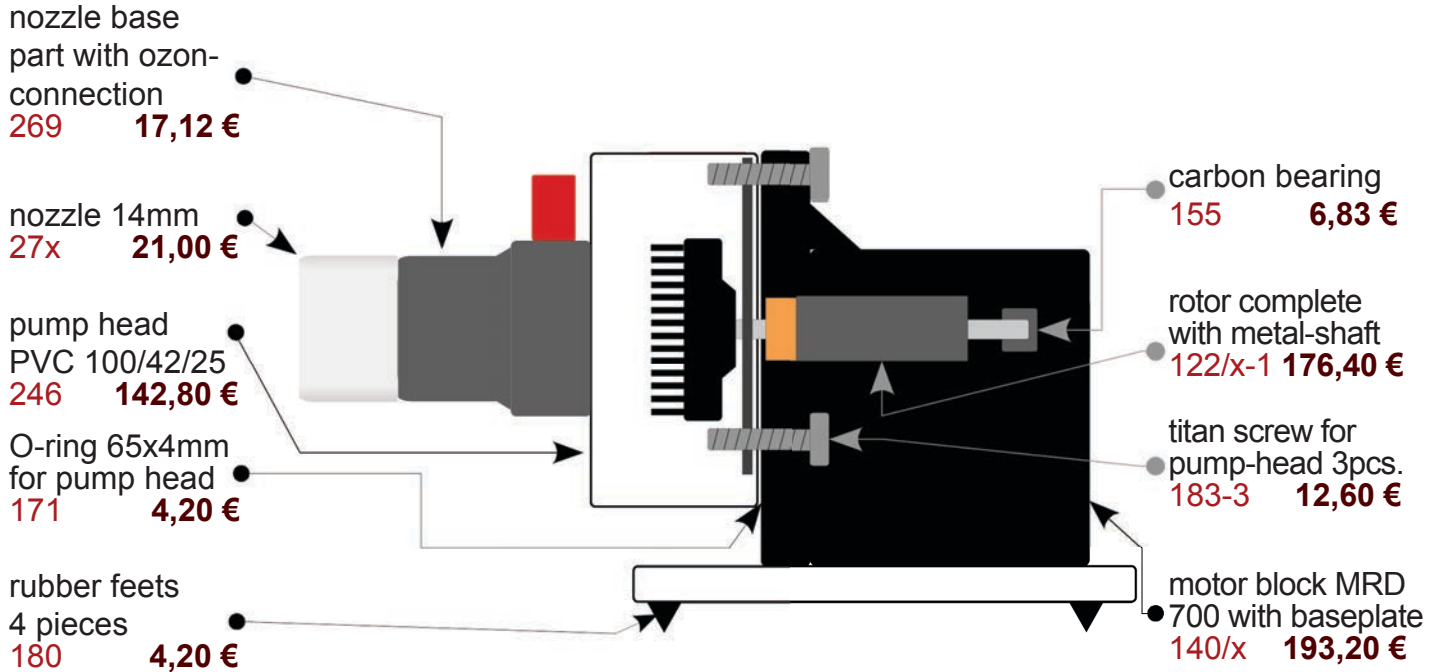
All information subject to change. We try our best, but printing errors reserved.

## Protein skimmer Bubble King® Double Cone 180

Product no.: 510

Please replace the **x** with the appropriate number for the voltage of 110/230 Volt.

accessories	accessories	accessories	accessories
			
add on resonator Ø 63mm 999	PVC pipe clip Ø 63mm for wall and ceiling mounting 930-63	resonator - inlay 294-1	silicon grease tube 6g 030-6
33,60 €	6,83 €	6,20 €	2,63 €





## Protein skimmer Bubble King® Double Cone 180

Product no.: 510

Please replace the **x** with the appropriate number for the voltage of 110/230 Volt.

lid complete 180  
318 75,60 €

resonator single  
PVC Ø50mm  
290/DC 27,83 €

resonator - inlay  
294-1 6,20 €

silicon hose 9x3mm  
460mm long  
185-1 12,02 €

T-piece short  
Ø 40mm / 40 / 40  
305 15,12 €

silicon - hose  
Ø 22 / 55mm  
301 7,14 €

PVC pipe conection  
Ø 25mm  
421 6,30 €

silicon O-ring  
80 x 2,5mm  
for stand pipe  
434 5,04 €

silikon-outlet  
(cleanout)  
298 23,52 €

silicon O-ring  
90 x 2,5mm for cup  
screw connection  
338 5,41 €

titan screw  
6x45mm for  
injection pan  
183-5 8,09 €

hole plate PVC  
160/92 with acrylic  
glass-ring 120mm  
418 53,55 €

cup with connection  
incl. silicon outlet  
(cleanout)  
380 218,40 €

plastic screw  
6x16mm  
for torque tube  
181-2 1,84 €

torque tube  
Ø 40mm PVC red  
410/14 21,53 €

baseplate PVC  
white 280/220mm  
396 100,80 €

skimmer-body  
with with connec-  
tion/tube holder  
371/14 319,20 €

skimmer-pump  
MRD 700  
complete  
122/x 495,60 €

injection-ring  
acrylic-glass  
Ø 120mm / 74mm  
415 23,63 €

titan screw  
6x10mm for  
baseplate  
183-9 3,78 €

For more information, please visit [www.royal-exclusiv.de](http://www.royal-exclusiv.de). Simply enter the part number or name into the search box or email: [info@royal-exclusiv.de](mailto:info@royal-exclusiv.de).

All information subject to change. We try our best, but printing errors reserved.